



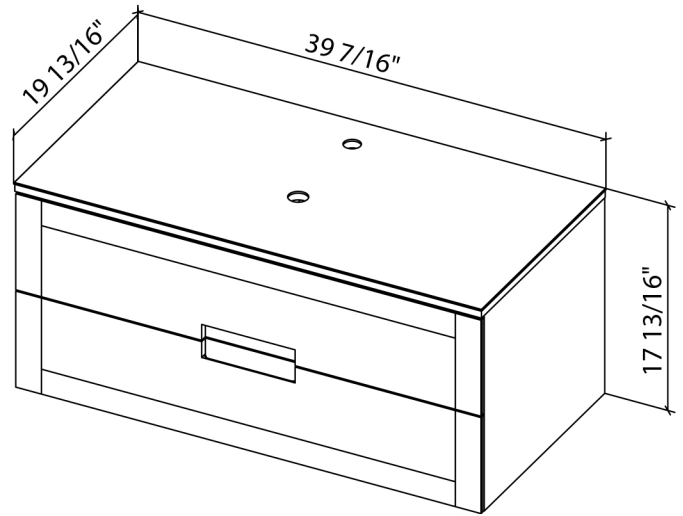
# TAYLOR 40"

Category: Bathroom Vanity

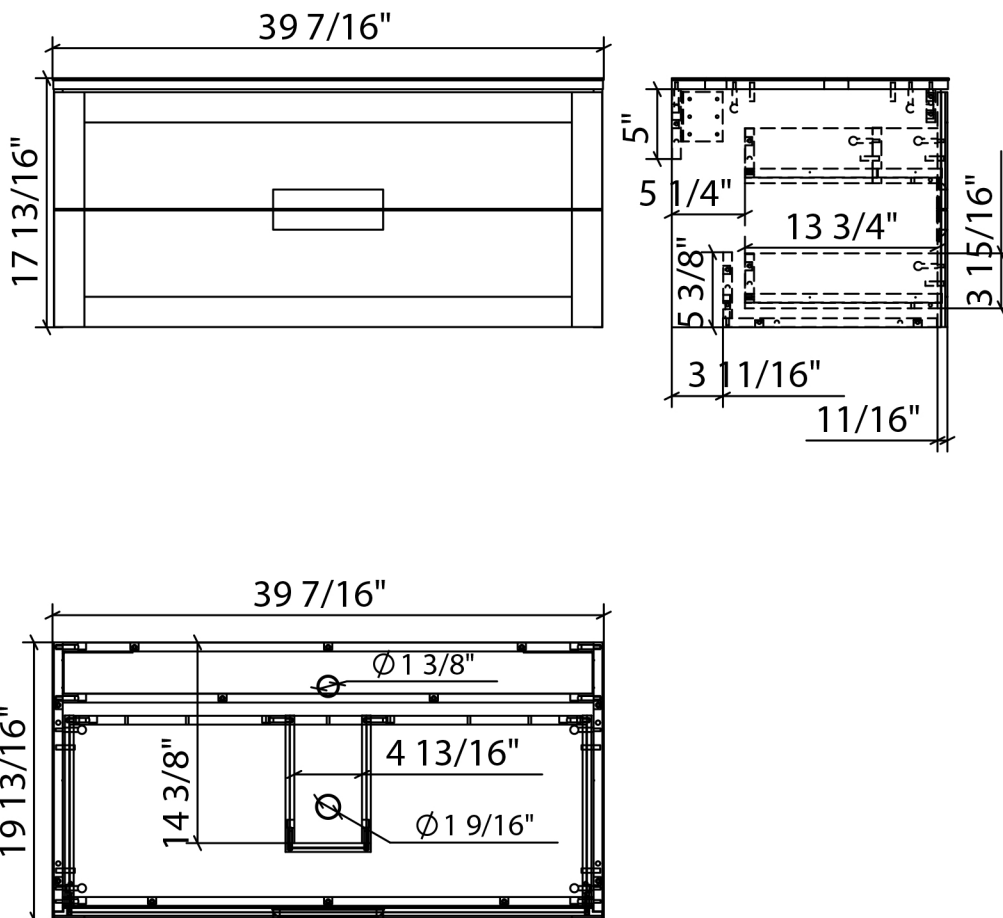
Material: Wood

Dimensions:

39.4" (W) x 19.8" (D) x 17.8" (H)

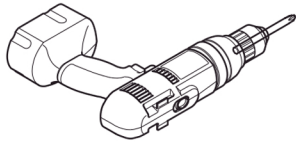


## Technical Data

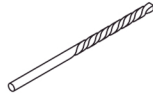


\*Numbers are in inches

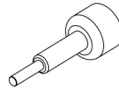
### TOOLS REQUIRED FOR ASSEMBLY



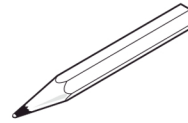
Electrical Drill



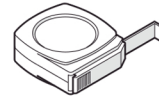
Drill Bit



Bolt Bit



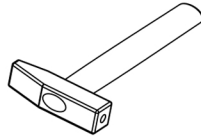
Pencil



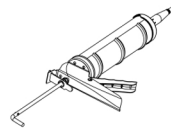
Tape Measure



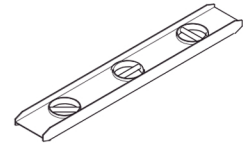
Phillips  
Screwdriver



Hammer



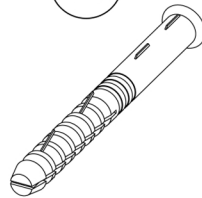
Silicone



Level

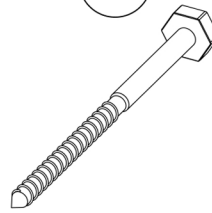
### FURNITURE

A



4 PCS

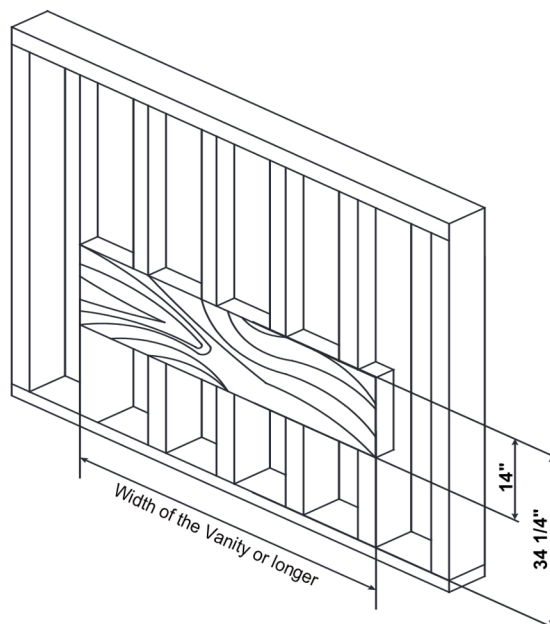
B



4 PCS

### Wall Preparation

The recommended height for a console cabinet with sink is 33-1/2". This requires installing a 14" wide wood panel to a height of 34-1/4". If an alternate height desired, adjust the rough-in and backing material heights using the dimensions provided.

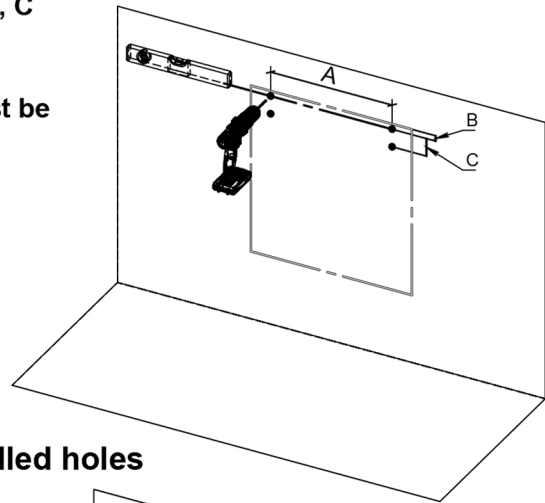
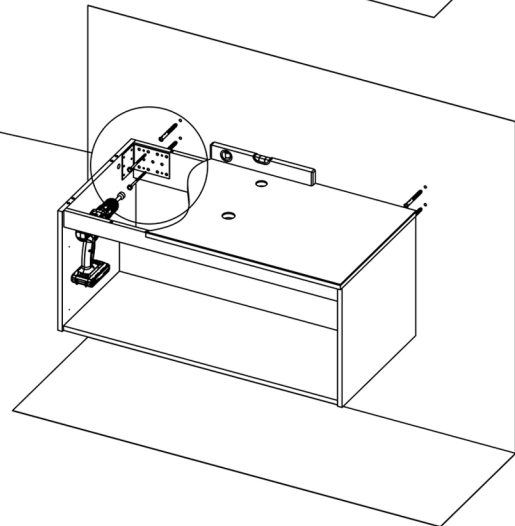
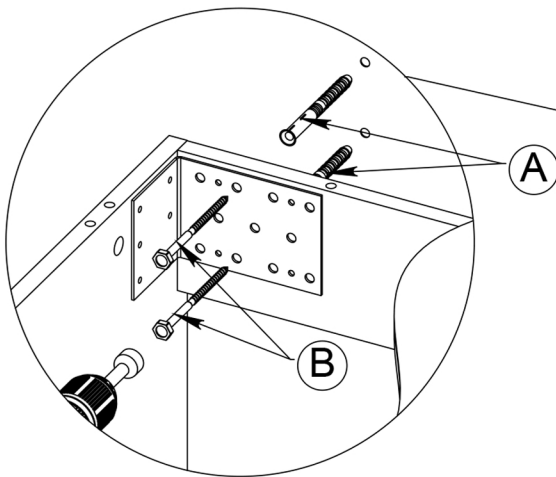
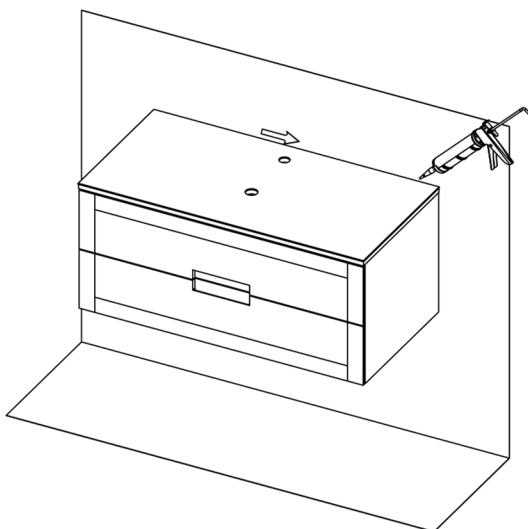


**STEP 1.****Marking for the cabinet**

Having decided on the location of the cabinet, we mark and drill holes in the wall measuring the distance A, B, C

**WARNING:**

Before installing the cabinet must be removed drawers.

**STEP 2.****Install the cabinet on the drilled holes****STEP 3.****Fill the side against the wall with Silicone and finish****STEP 4.****Install sink top with Silicone**