



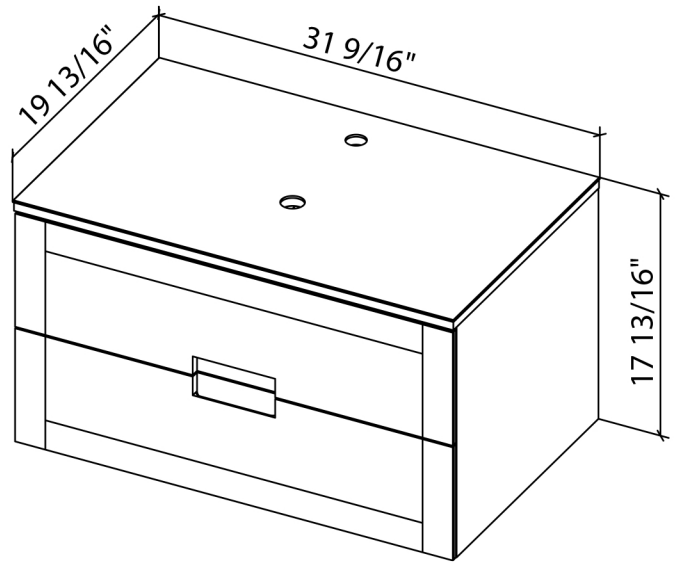
# TAYLOR 32"

Category: Bathroom Vanity

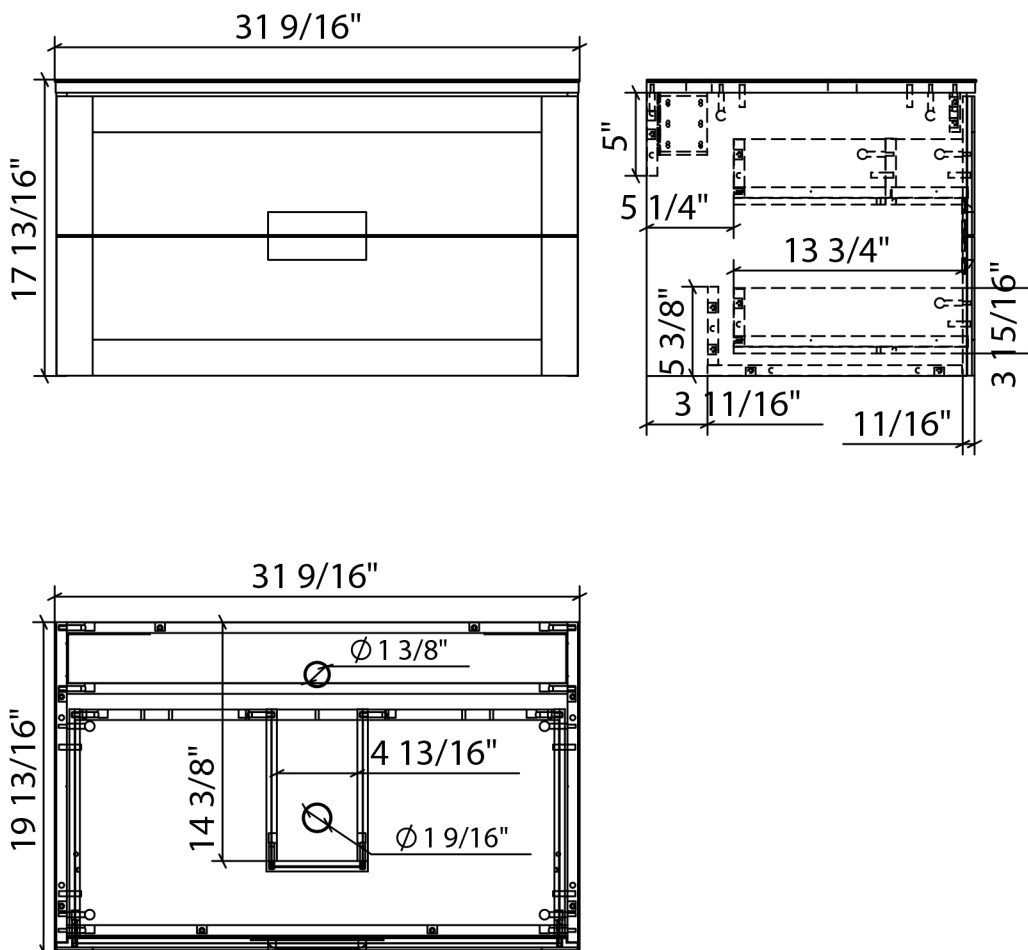
Material: Wood

Dimensions:

31.5"(W) x 19.8"(D) x 17.8"(H)

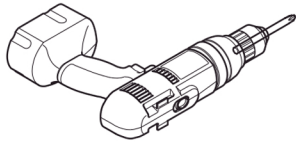


## Technical Data

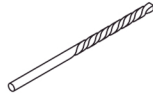


\*Numbers are in inches

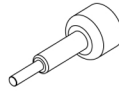
**TOOLS REQUIRED FOR ASSEMBLY**



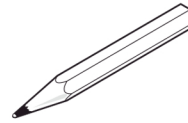
Electrical Drill



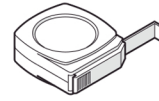
Drill Bit



Bolt Bit



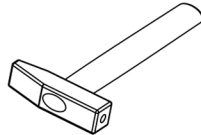
Pencil



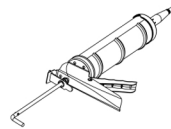
Tape Measure



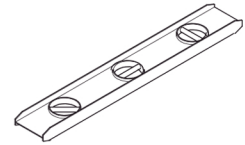
Phillips  
Screwdriver



Hammer



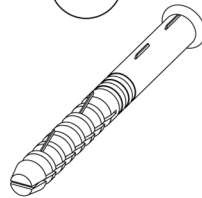
Silicone



Level

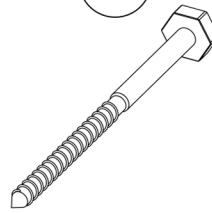
**FURNITURE**

A



4 PCS

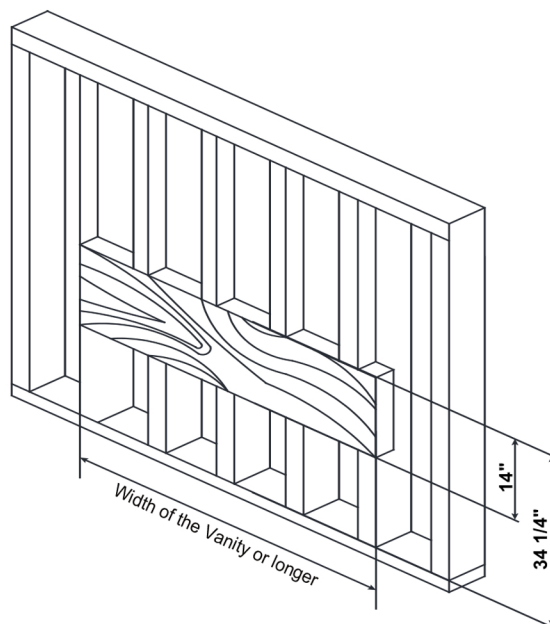
B



4 PCS

**Wall Preparation**

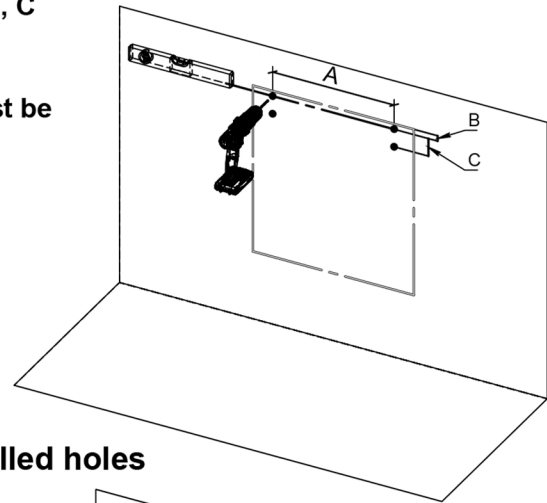
The recommended height for a console cabinet with sink is 33-1/2". This requires installing a 14" wide wood panel to a height of 34-1/4". If an alternate height desired, adjust the rough-in and backing material heights using the dimensions provided.



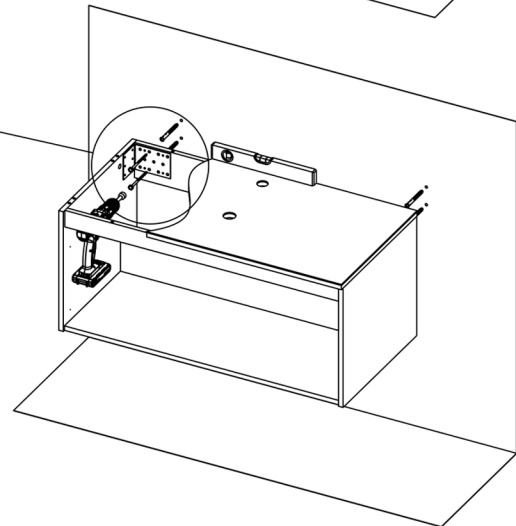
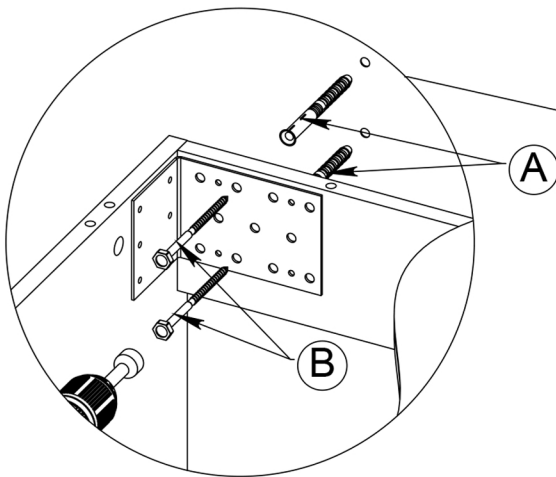
**STEP 1.**

Marking for the cabinet  
Having decided on the location of the cabinet, we mark and drill holes in the wall measuring the distance A, B, C

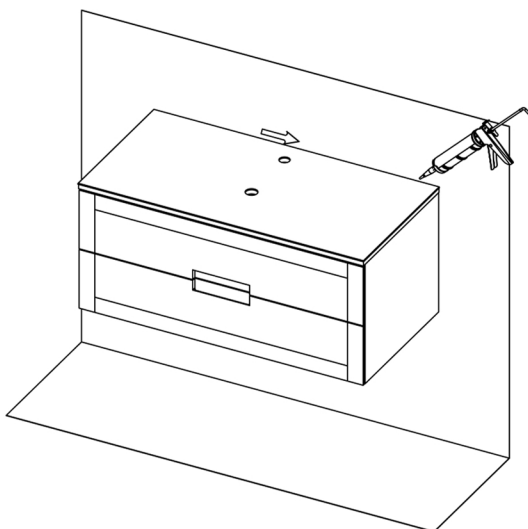
**WARNING:**  
Before installing the cabinet must be removed drawers.

**STEP 2.**

Install the cabinet on the drilled holes

**STEP 3.**

Fill the side against the wall with Silicone and finish

**STEP 4.**

Install sink top with Silicone

