



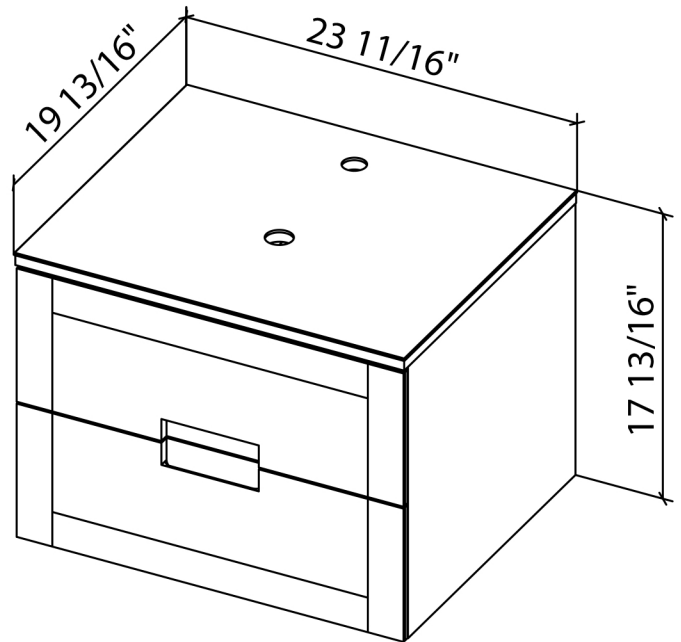
TAYLOR 24"

Category: Bathroom Vanity

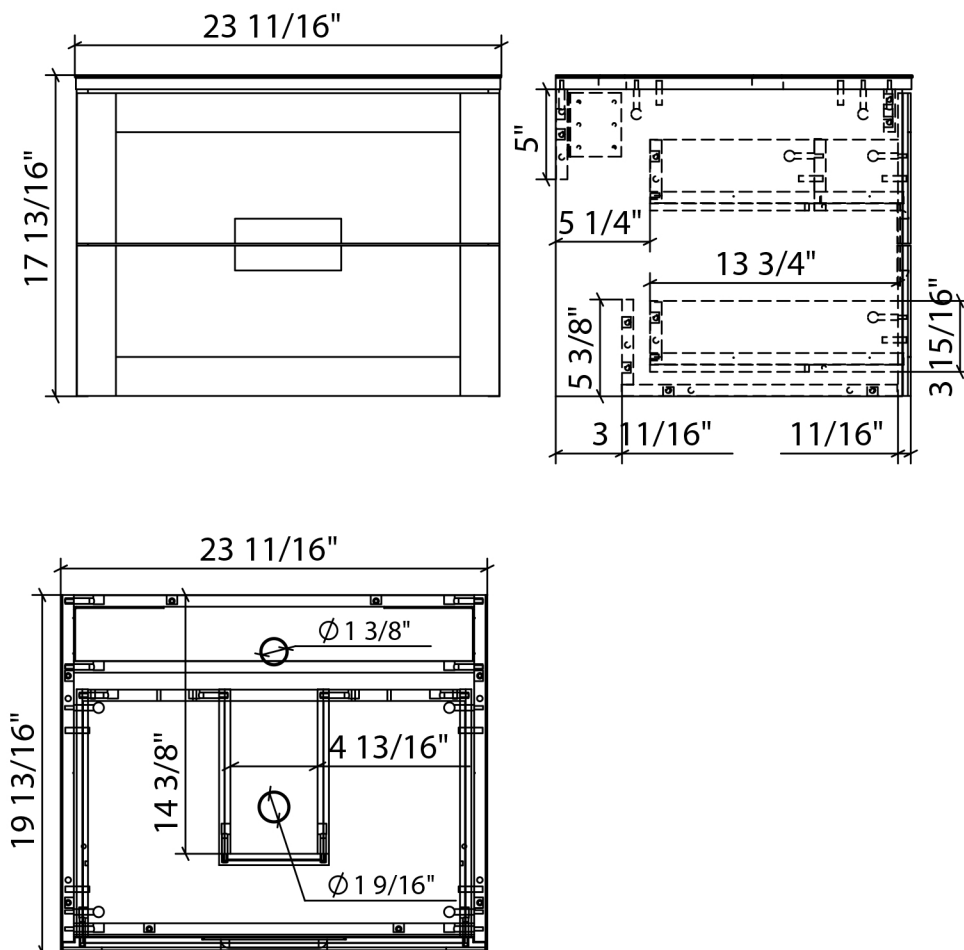
Material: Wood

Dimensions:

23.6" (W) x 19.8" (D) x 17.8" (H)

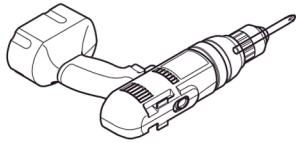


Technical Data

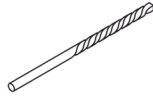


*Numbers are in inches

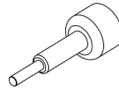
TOOLS REQUIRED FOR ASSEMBLY



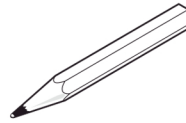
Electrical Drill



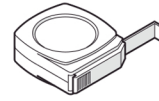
Drill Bit



Bolt Bit



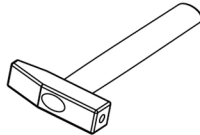
Pencil



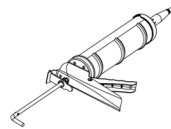
Tape Measure



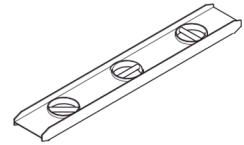
Phillips
Screwdriver



Hammer



Silicone



Level

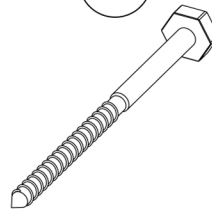
FURNITURE

A



4 PCS

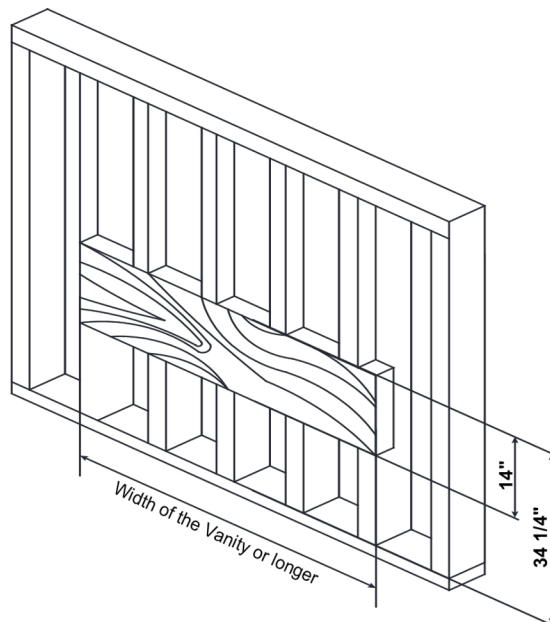
B



4 PCS

Wall Preparation

The recommended height for a console cabinet with sink is 33-1/2". This requires installing a 14" wide wood panel to a height of 34-1/4". If an alternate height desired, adjust the rough-in and backing material heights using the dimensions provided.

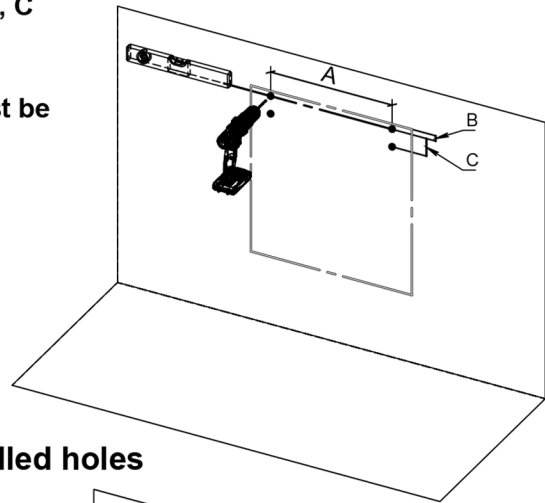
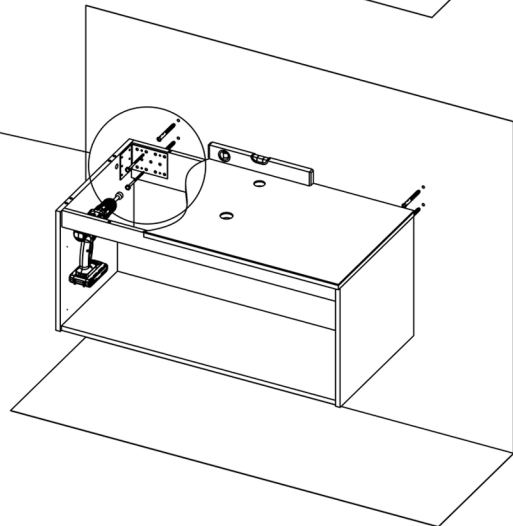
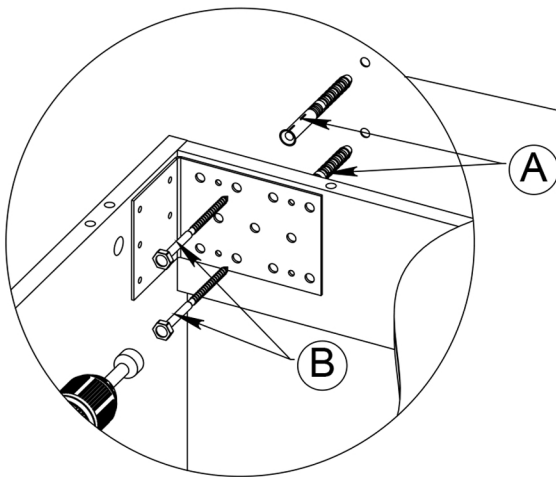


STEP 1.**Marking for the cabinet**

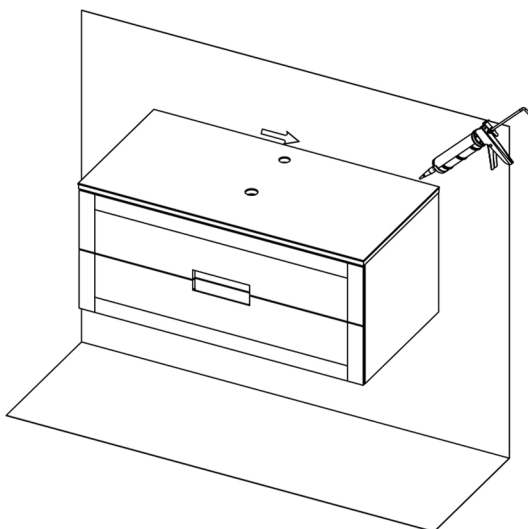
Having decided on the location of the cabinet, we mark and drill holes in the wall measuring the distance A, B, C

WARNING:

Before installing the cabinet must be removed drawers.

**STEP 2.****Install the cabinet on the drilled holes****STEP 3.**

Fill the side against the wall with Silicone and finish

**STEP 4.**

Install sink top with Silicone

