



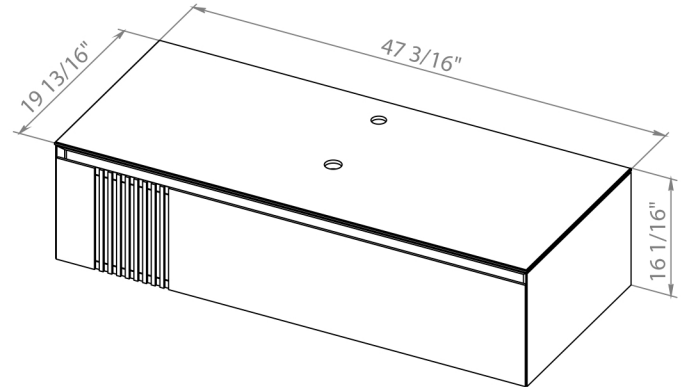
# MANTUA 48"

Category: Bathroom Vanity

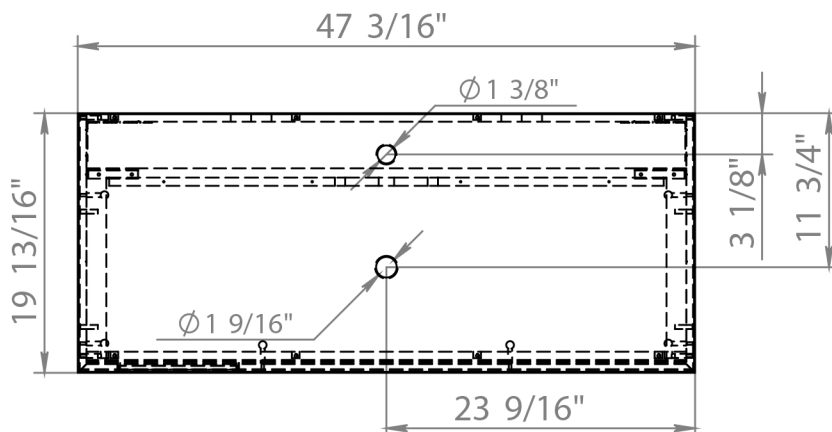
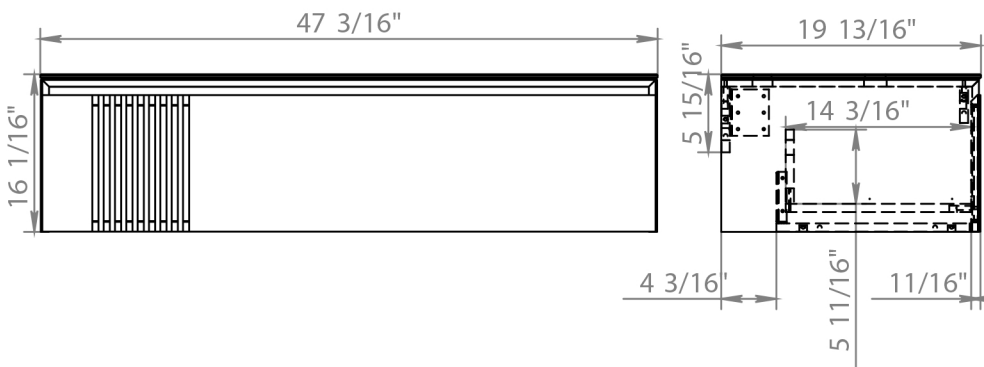
Material: Wood

Dimensions:

47.1"(W) x 19.8"(D) x 16.0"(H)

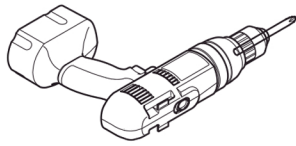


## Technical Data

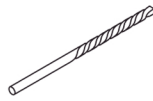


\*Numbers are in inches

### TOOLS REQUIRED FOR ASSEMBLY



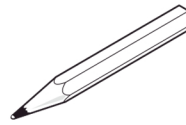
Electrical Drill



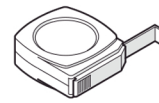
Drill Bit



Bolt Bit



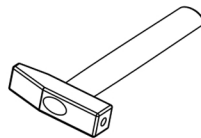
Pencil



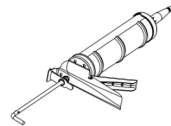
Tape Measure



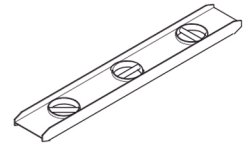
Phillips  
Screwdriver



Hammer



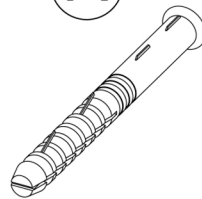
Silicone



Level

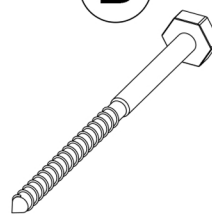
### FURNITURE

A



4 PCS

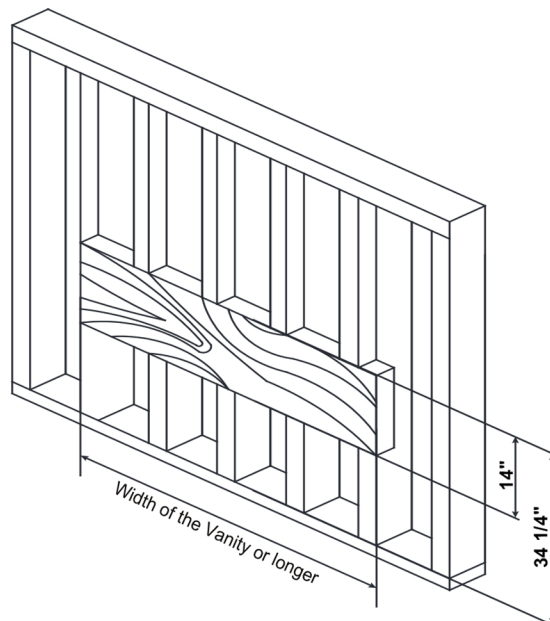
B



4 PCS

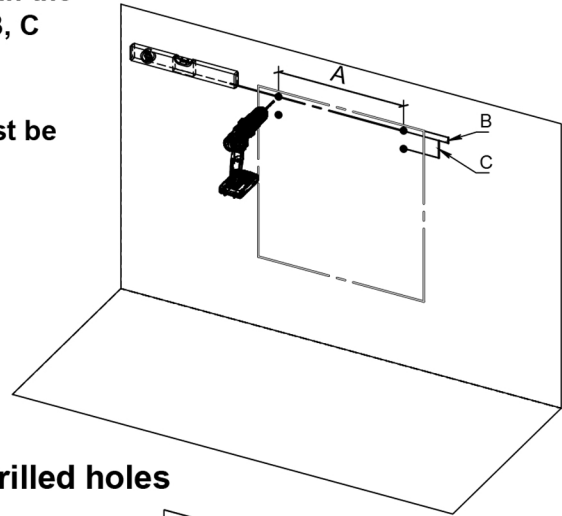
### Wall Preparation

The recommended height for a console cabinet with sink is 33-1/2". This requires installing a 14" wide wood panel to a height of 34-1/4". If an alternate height desired, adjust the rough-in and backing material heights using the dimensions provided.

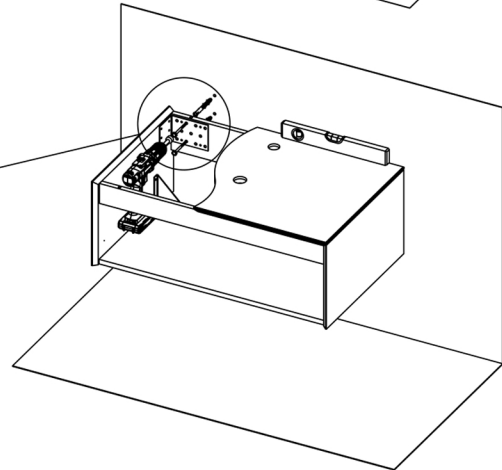
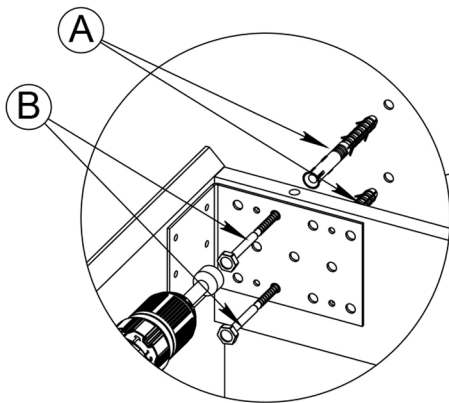


**STEP 1.** Marking for the cabinet  
Having decided on the location of the cabinet, we mark and drill holes in the wall measuring the distance A, B, C

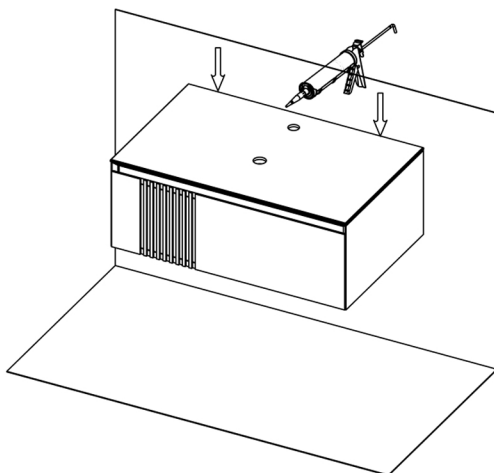
**WARNING:**  
Before installing the cabinet must be removed drawers.



**STEP 2.** Install the cabinet on the drilled holes



**STEP 3.** Fill the side against the wall with Silicone and finish



**STEP 4.** Install sink top with Silicone

