

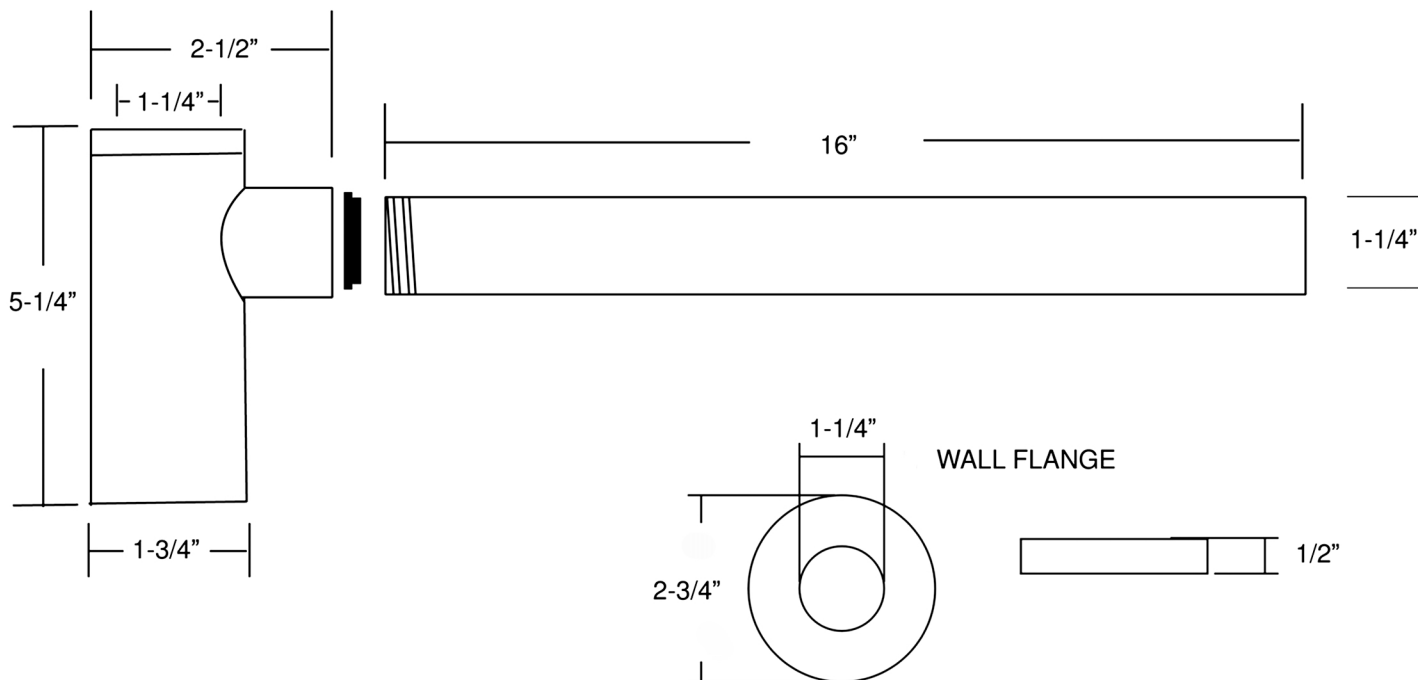
DRA-440-CHR

Category: Bathroom Drain

Material: Lead-Free Brass

Dimensions: 1.7" (L) x 1.7" (W) x 18.5" (H)

Description: Modern Cylinder Style Trap And Flange Kit in polished chrome finish.



1-1/4" O.D. INLET X 1-1/4" OUTLET

\*Numbers are in inches